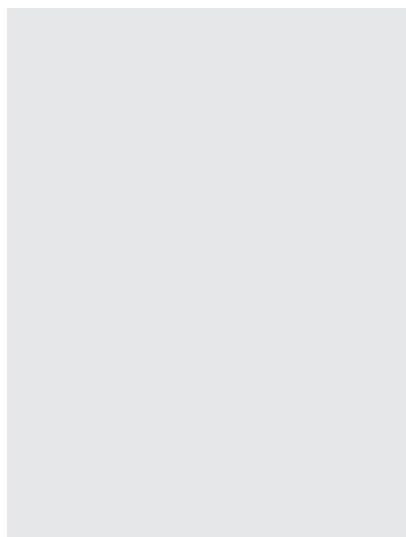


Project Black: The Future of Commercial Heating.

Supplies energy efficient soft radiant heat directly to users where they need it most.



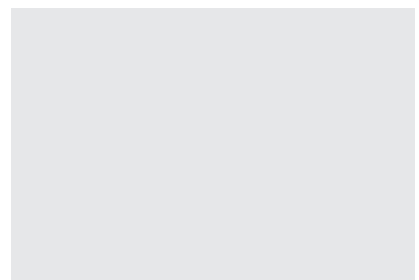
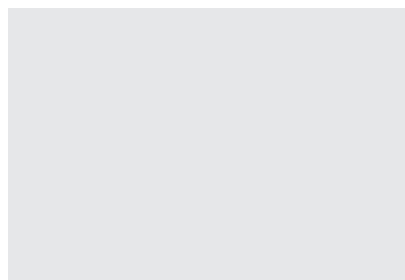
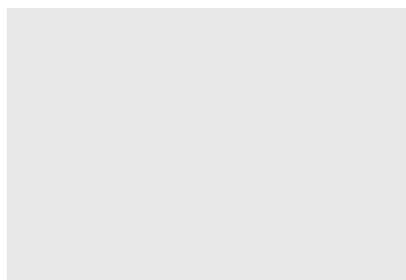
Designed for open plan offices where shared environments can often mean a conflict in heating and cooling.

People all experience heat differently. What feels warm to one person is too cold to another. This results in space heating that never quite works for everyone. As a result there are often expensive callouts to maintenance staff to adjust major heating plants causing higher bills and often more complaints.

Our unique design of under desk heater uses a graphite based black body radiant element to deliver 'direct heat' to occupants. This empowers them to take control and become responsible for their own heating.

It's more energy efficient as the panel does not waste energy heating the air. It transmits direct-heat via radiant waves.

This gently warms occupants laps and legs which in turns warms the Femoral artery allowing the persons entire body temperature to rise to a comfy level when sitting stationery.



BENEFITS

- Reduce maintenance call-outs for heating complaints
- Heats people directly and efficiently for only 135 watts per hour (that's about 3.5cents to run per hour, based on a 25c per kw electricity charge)
- Save energy by heating occupants directly where they mostly need the heat
- Ideal for draughty offices or open shared spaces
- Silent, no annoying blown air that dries people out
- Simple on/off control
- Remove old 2kw plug-in heaters that are not energy efficient (these are often responsible for huge increase in peak energy costs)
- No moving parts to service or clean
- Carbon crystalline offers 98% efficiency
- Does not burn oxygen resulting in a healthier air that doesn't put people to sleep
- Easy to install under the desk, or on the modesty panel.

PROJECT **BLACK**™

ecogeekco™

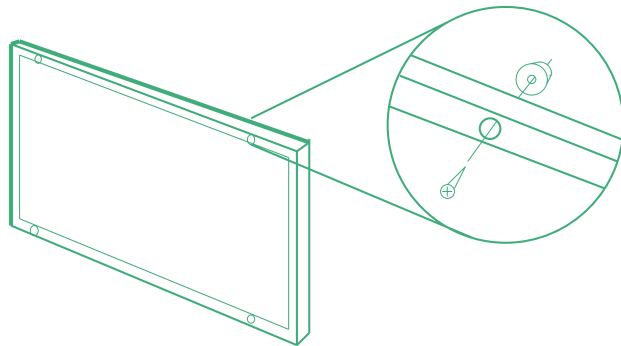
www.ecogeekco.co.nz | info@ecogeekco.co.nz

Basic Installation Guide

WARNING:

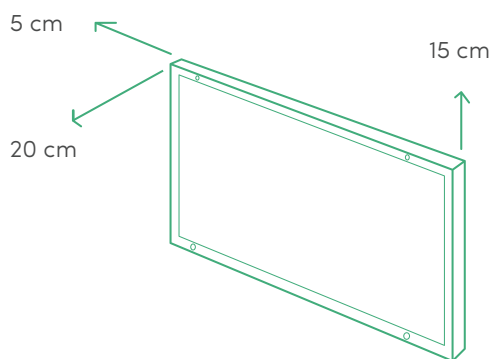
The surface of the carbon heater is hot to touch and will burn users skin if contact is made for a period of time. Ensure people and objects are clear of the heating surface at all times.

Do not install the heater if combustible objects are likely to be pushed up against the heater.



FIXING

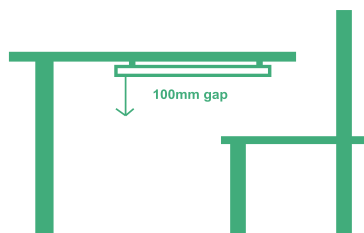
Screw through the frame and install the spacer behind to create a gap for the power cable and ventilation.



VERTICAL MOUNTING

Ensure sufficient ventilation space around the heater.

Keep objects and furniture clear from the surface as this is hot to touch.



UNDER DESK MOUNTING

Ensure there is a 100mm gap between the heating surface and the user's lap.

Adjust desk height if required